

Parts List

ITEM NO.	QTY.	PART NO.	DESCRIPTION	ITEM NO.	QTY.	PART NO.	DESCRIPTION
1	1	SK-15487	Frame Assembly Kit <P12	45	1	HS-10435	Bolt, Tap 3-8-16 x 3" Hex Head
1	1	AF-14105	Frame Assembly, Stable Flex	46	1	HW-11580	Washer, USS 3-8 Zinc
2	1	SK-15414	Rail, Side Right	47	1	HB-14015	Belt Tensioner Pulley
3	1	SK-15415	Rail, Side Left	48	1	HW-00361	Washer Lock EX 3-8 Zinc
4	1	PL-12978	Cover, Right End Cap (Or W/Bracket, AX-14599)	49	1	HN-00199	Nut, 3-8-16 Hex Head STL Zinc
4	1	AX-14599	Cover, Right End Cap With Bracket	50	1	FM-14145	Tensioner
5	1	PL-12977	Cover, Left End Cap (Or With Bracket, AX-14598)	51	1	BD-10981	Belt, Running 20.75 x 127.50
5	1	AX-14599	Cover, Right End Cap With Bracket	52	1	HS-14202	Bolt, 1-4-28 x .75 Hex Head Zinc
6	2	AF-13462	Bracket, End Cap	53	3	HW-10867	Washer, Fender 1-4 x 1.0 x .051
7	4	HS-11328	Screw, SEMS 10-32 x 0.38 PNHD Phillips INT	54	1	HX-11593	Key, ANSI Square, 3/16 x 1 3/16"
8	20	HS-00163	Bolt, 5-16-18 x 0.75 SCHD BTN, (Console and Support)	55	1	AX-14430	Flywheel With Speed Sensor Disc
9	16	HW-15401	Washer	56	1	DE-14260	Speed Sensor Disc Decal For Flywheel
10	2	HS-13769	Bolt, 1/2-13 x 2.5" B-Zinc, Rear Foot Mount	57	1	FS-14140	Speed Sensor Bracket
11	2	HW-11427	Washer, .593 x 2.0 OD Zinc, Rear Foot Mount	58	2	HS-11976	Screw, Speed Sensor
12	2	FM-14258	Tube Wheel Bearing	59	1	AX-14602	Speed Sensor With Cable
13	2	PL-14167	Wheel 3.0" O.D. x 1.0" Wide, Rear Foot	60	1	HN-10717	KEPS 4-40 Hex Head Zinc
14	2	AF-14903	U Channel	61	1	HW-10772	Washer, Flat NO. 4
15	2	HX-15111	Tape, Double Sided, (For U Channel)	62	1	HS-00156	Screw, 4-40 x 0.62 PNHD Phillips
16	2	HX-14909	Rubber Mount, Stableflex 60 lbs. 1.0" Ht	63	1	MR-14010	Motor, 2.5 HP, 180V
17	9	HN-10001	Nut, Lock 1-4-20 Ring Nylon	63	1	MR-14009	Motor, 2.5 HP, 90
18	2	HX-14908	Rubber Mounting, Stableflex 1.0" Ht (Front)	64	2	PD-14471	Pad, Isolation 1.40 x 5.25 x 5mm
19	1	ET-14366	Terminal Ground Tab	65	2	PL-14120	Pad, Vibration, Drive Motor
20	1	HS-12318	Screw, Type F 6-32 x .50 PHPNHD	66	1	FS-14479	Spacer, Motor Bolt
21	9	HN-11925	KEPS 10-32 Hex Head STL Zinc	67	1	PD-14470	Pad, Isolator 2.0 x 8.0 x 5-16
22	1	AX-15037	Choke/Conn. Kit, 230V	68	1	AF-14148	Drive Motor Strap
22	1	AX-14929	Choke/Conn. Kit, 115V	69	1	FM-14086	Pin, Motor Strap
23	2	AF-14414	Transport Wheel, Single	70	1	AF-14212	Gear Rack, Left, With Slot For Limit Switch
24	2	HS-00261	Bolt, 1/2-13 x 5.5", Hex, Rear Roller Adjusting	71	1	AF-14213	Gear Rack, Right
25	2	HB-00188	Thrust Bearing 1-2" NO. TB812	72	2	PL-14121	Block, Elevation Guide
26	6	HW-10028	Washer, B 1-2 Narrow Zinc	73	2	PL-14122	Plate, Elevation Guide
27	2	HX-11049	Spring, 1" O.D. Rear Roller Tensioning	74	1	AF-14099	Elevation Motor Shaft Extension
28	1	AL-10975	Roller, Rear	75	2	GR-14189	Gear, 12 Tooth
29	2	HN-10029	Nut, 1/2-13, Zinc, Rear Foot Mounting	76	2	HX-11576	Key Woodruff ANSI 404 1-8 x 1-2
30	3	HW-00590	Bushing, 1/2" Nylon, Rear Roller Bolt	77	6	HS-00370	Set Screw 1-4-20 x 1-4"
31	2	HX-13771	Ring Retainer 5-8" .579 FR.ID	78	2	AF-14097	Elevation Frame
32	9	HS-12295	Bolt, 1/4-20 x 1.75" Hex Head, Deck Mounting	79	1	AW-14457	Limit Switch Assembly w/Bracket and Cable
33	13	HW-00180	Washer, 1/4" Lock, Deck Mounting	80	1	HN-10003	Nut, For Motor Strap
34	10	HX-14956	Disk Guide, Deck Edge	81	1	AF-14161	Bracket, For Tensioner
35	1	FM-14960	Flex Deck Indicator	82	1	SK-16230	Elevation Motor 230V
36	1	HS-14969	Screw, (For Flex Deck)	82	1	SK-15161	Elevation Motor 115V
37	1	BD-14072	Belt, Drive, Poly - V, 280J10	83	3	HS-11485	Screw, 10-32 x 0.38 Hex Head Zinc
38	1	AL-10980	Front Roller	84	2	HS-12125	Bolt, 5-16-18 x 2.75 Hex Head GR5 ZN
39	3	HS-13759	Screw, Tap 5-16-18 x 1.50 Hex Head	85	2	HS-00194	Bolt, Hex Head .312-18 x 1.75"
40	3	HW-00165	Washer, Lock EX 5-16 Zinc	86	8	HS-14255	Screw, 5-16-18 x 2.0 SCHD Steel
41	4	HW-00189	Washer, Flat, 5/16	87	2	HX-14416	Clip, Wire Latching, U Shaped
42	13	HN-11136	Nut, 5/16-18", Hex Head, KEPS	88	1	AF-14030	Plate, Front Panel, Aluminum
43	1	HS-00273	Bolt Hex Head. 5-16-18 x 1"	89	4	HX-14416	Clip, Wire Latching, Grey Plastic
44	2	FM-14459	Spring Plate	90	1	PL-13000	Cover, Motor
				91	2	HS-00700	Screw, Motor Cover
				92	1	DE-15297	Decal, Console Cable Exit 115V/230V

Continued on next page

<b>ITEM NO.</b>	<b>QTY.</b>	<b>PART NO.</b>	<b>DESCRIPTION</b>
93	1	AF-14108	Upright, Right
94	1	AF-14107	Upright, Left
95	1	FT-14057	Console Crossrail
96	1	AF-15623	Front Panel
97	1	SK-15701	Lower Board Kit 230V
97	1	SK-15700	Lower Board Kit 115V
98	10	HS-11326	Screw (Lower Board Mount)
99	5	HN-12959	Nut, Jam 5-16-18 Hex Head Zinc
100	1	DE-10288	Label, Belt Caution, Grey
101	1	DE-14230	Label, 220V
101	1	DE-13906	Label, 115V
102	1	SW-10523	On/Off Switch
103	1	EH-12208	Receptacle, Power Inlet, 20 Amp
104	6	HS-00985	Screw, Type B 8-18 x 0.38 SLFTP
105	1	EH-13905	Clip, Wire, 1/2" Heavy Duty
106	1	HS-11977	Screw
107	1	FS-14898	Cover, Rear Console
108	8	HS-14391	Screw 6-32 x .38 PNHD Phillips SEM
109	1	PL-13507	Console Front
110	1	DE-13581	Label, Console Set 710T
111	1	DE-15384	Decal, Console 710T
112	1	AX-14805	Console Window for 710T
113	1	SK-15727	Keypad 710T
114	2	HX-10941	Grip, Handrails
115	2	HX-10942	Plug, Handrail End
116	2	HP-00181	Roll Pin 1/8 x 1" (For Handrail End Plug)
117	1	AF-13175	Handrail Assy., Right
118	1	AF-13174	Handrail Assy., Left
119	4	HS-11139	Screw, SEMS 10-32 x 1.25 PNHD
120	2	HW-13762	Washer
121	2	FS-13808	Grounding Clip, Anti-Static
122	2	HS-11195	Screw, 4-40 x 0.50 PNHD Phillips
123	1	EC-15052	PCB Assy. Heart Rate Monitor (Salutron)
124	1	AF-15141	Overlay Plates 710T
125	15	HS-11894	Screw, SEMS 6-32 x 0.25 PNHD Phillips INT
126	8	HW-13656	Washer Flat .187 ID x .875 OD x .06
127	1	AD-14880	C-Safe Interface Board
128	2	HX-10613	Dust Ring
129	2	PL-14920	Handgrip, Lower Contact Heart Rate
130	2	PL-14919	Handgrip, Upper Contact Heart Rate
131	8	HS-10716	Screw, 4-40 x 0.38 PNHD Phillips
132	4	HN-15130	Nut, Lock 5-16-18 NTE Series
133	2	HN-11585	Nut, 6-32 Nylok Hex Head Steel Zinc
134	1	EH-13468	Clip, Console
135	2	HS-11140	Screw, SEMS 6-32 x 0.38 PNHD Phillips
136	1	SK-15122	Kit, Crossrail With Polar and Contact Heart Rate
137	1	AX-14429	Kit, Crossrail With Polar Heart Rate Only
138	1	DE-14486	Serial Number
139	1	DK-10953	Deck, Running
NS	1	EC-15153	E-Prom, V3.07, 710T 230V
NS	1	EC-15152	E-Prom, V3.07, 710T 115V

Continued on next page

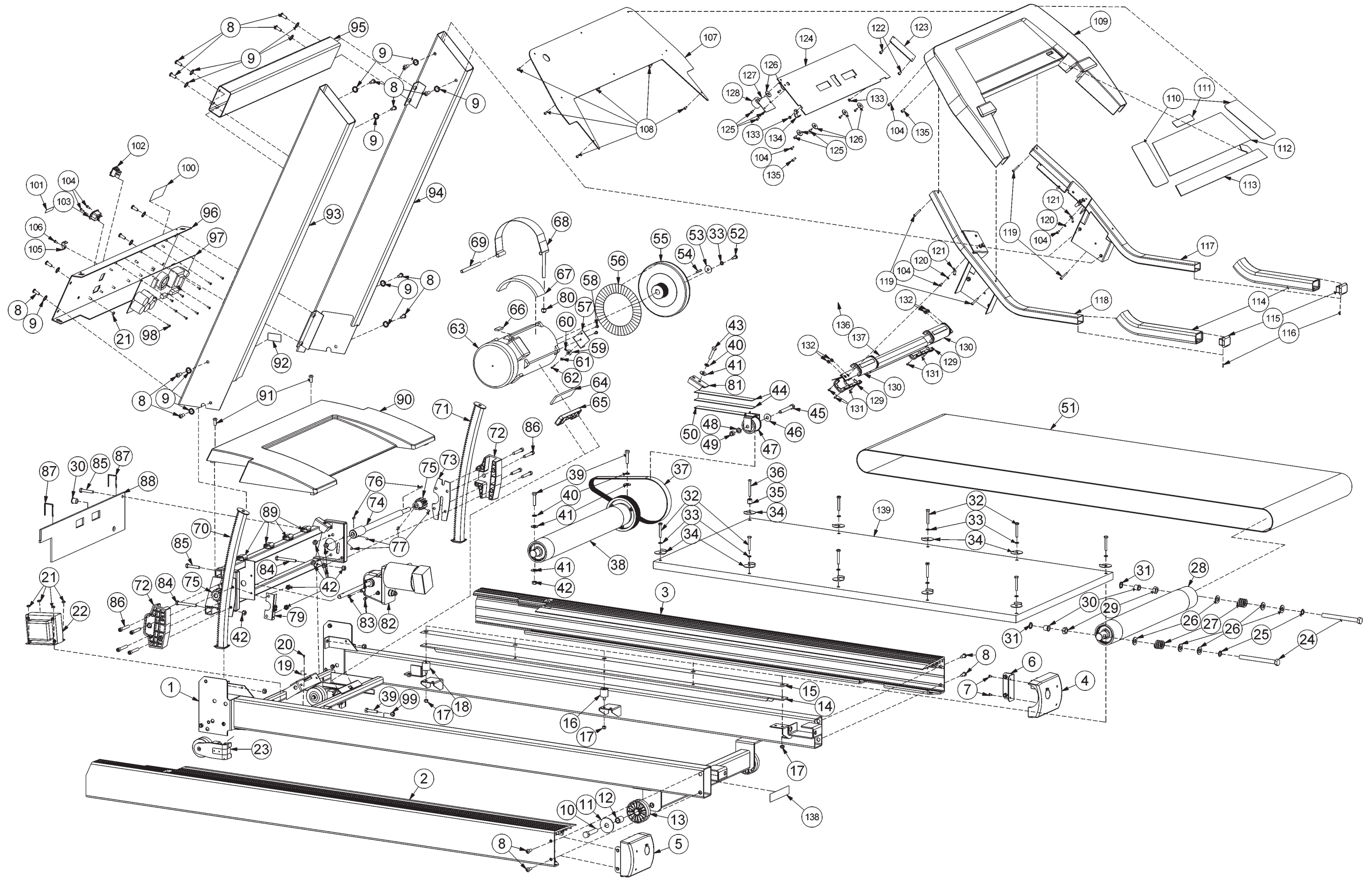
**7 Service**

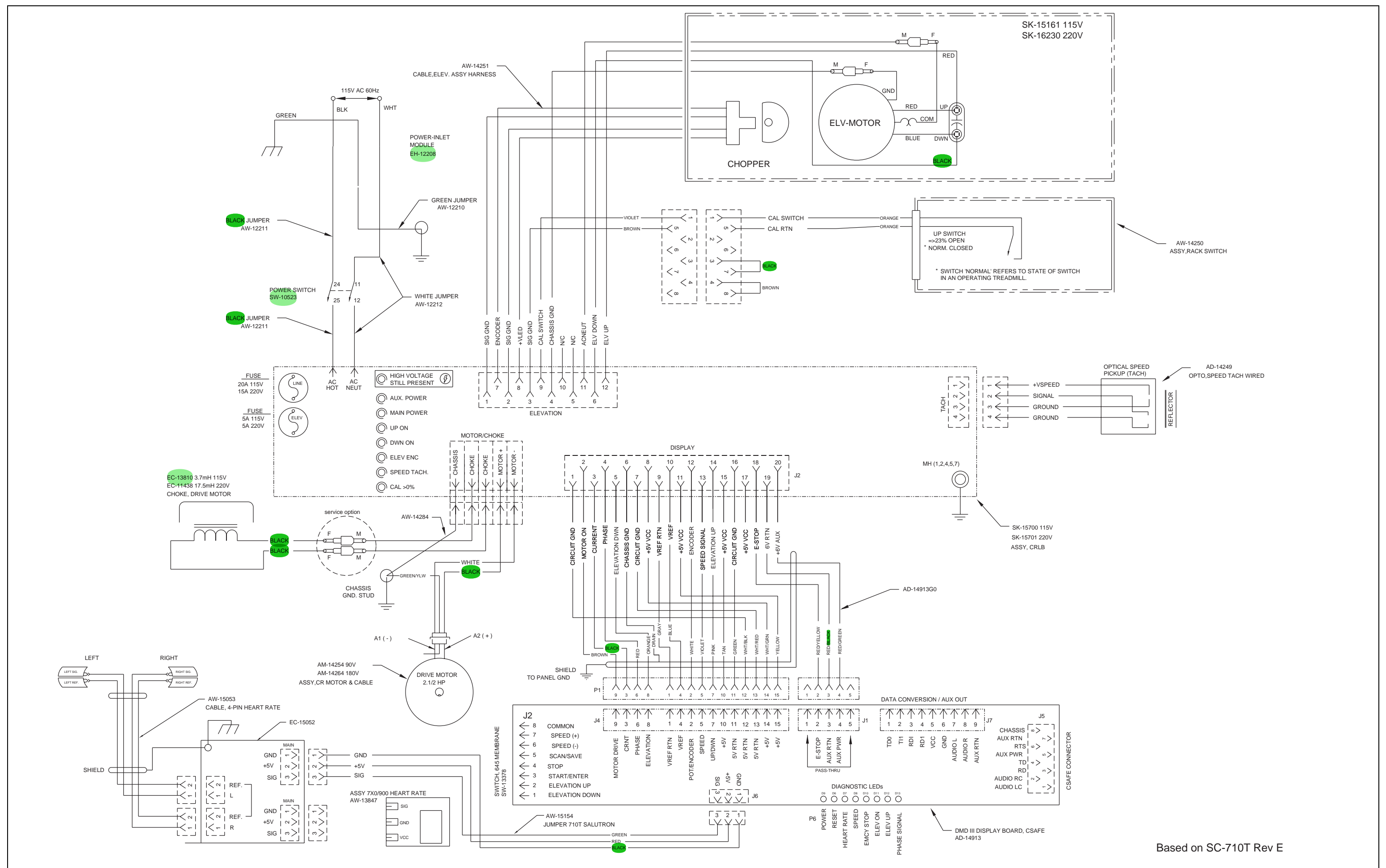
Service Instruction . . . . .	7-1
Motor Brushes . . . . .	7-1
Motor Current & Voltage . . . . .	7-4
Running Belt & Deck . . . . .	7-7
Drive Belt . . . . .	7-9
Front Roller . . . . .	7-9
Rear Roller . . . . .	7-10
Error Codes . . . . .	7-11
Diagnostic Tests . . . . .	7-13
Parts List . . . . .	7-20
Exploded View . . . . .	7-23
710T Schematic . . . . .	7-24

## Cybex 700T Treadmill Owner's Manual

ITEM NO.	QTY.	PART NO.	DESCRIPTION
NS	1	AD-14913G0	Control PCB DMDIII, 710T (Without E-prom) >Q08-16174XXX
NS	1	AD-13551G0	Control PCB, 710T (Without E-prom) <Q08-16174XXX)
NS	1	HX-13607	Mount HR Block
NS	1	AX-14429	Grip, Crossrail, For Contact HR, Kit
NS	1	EH-00472	Wire Tie TY-23M
NS	1	SK-15892	Brush Kit, 230V 50Hz (Includes Two Brushes)
NS	1	SK-15891	Brush Kit, 115V 60Hz (Includes Two Brushes)
NS	1	EC-15153	E-Prom, V3.07, 710T 230V >Q09
NS	1	EC-15152	E-Prom, V3.07, 710T 115V >Q09
NS	1	EC-15127	E-Prom, V3.15, 710T 230V (C-Safe) Brakeless >P09, <Q08
NS	1	EC-15126	E-Prom, V3.15, 710T 115V (C-Safe) Brakeless >P09, <Q08
NS	1	EC-15052	PCB Assy. Heart Rate Monitor (Salutron)
NS	1	EC-14468-4	E-Prom, V2.18, 645CR/710T, 230V <P09
NS	1	EC-14468	E-Prom, V1.11, 645CR/710T, 115V <P09
NS	1	LT-14464	Owner's Manual, 710T
NS	1	EF-14340	Fuse, 15 Amp Slo-Blo, 220V (On Lower Board)
NS	1	EF-14339	Fuse, 5 Amp, Elevation, 115V & 220V (On Lower Board)
NS	1	WR-13966	Cord, Power, 12 ft., 230V, 60Hz, Right Angle
NS	1	WR-13965	Cord, Power, 12 ft., 220V, 50Hz, Right Angle, International, Round Prongs
NS	1	WR-13964	Cord, Power, 12 ft., 115V, Right Angle
NS	1	EF-12367	Fuse, 20 Amp Slo-Blo 115V
NS	1	FM-11428	Insert, Alum, Rear Foot Mounting
NS	1	EH-10637	Strain Relief
NS	1	HX-10300-2	Brush Cap, Drive Motor
NS	1	EH-00986	Tie Wire T B TYB-25M
NS	1	EH-00670	Nut, Yellow Wire, #74-B
NS	1	EH-00472	Wire Tie TY-23M

**NS = Not Shown**





Based on SC-710T Rev E